

Technical proposal for JX-CI-2G6G-12PIN Drop-In Isolator

◆ High Performance

◆ High Reliability

Revision History

| Version | Date | Author | Revision description | Comment |
|---------|------------|--------|----------------------|---------|
| V1.0 | 2023/05/18 | Vivian | Created | / |
| | | | | |
| | | | | |

Table of content

| | |
|----------------------------------------------------------------|---|
| Technical proposal for JX-CI-2G6G-12PIN Drop-In Isolator | 1 |
| 1. Mechanical layout | 2 |
| 2. Electrical analysis | 2 |

Figures

| | |
|----------------------------------------------------|---|
| Figure 1 JX-CI-2G6G-12PIN front panel layout | 2 |
|----------------------------------------------------|---|

Tables

| | |
|-----------------------------------------|---|
| Table 1 Mechanical specifications | 2 |
| Table 2 Electrical specifications | 2 |

JING XIN MICROWAVE TECHNOLOGY CO.,LTD

E-mail: sales@cdjx-mw.com Web: <http://www.cdjx-mw.com>

TEL: +86-28-85026087 FAX: +86-28-65026087 ext.8033 Zip Code:610045

Add: No.65,West 1st Wu Ke Road, Wu Hou District, Cheng Du City, Si Chuan Province, China.

1. Mechanical layout

Table 1 Mechanical specifications

| | |
|----------------|----------------------------|
| Dimension | As shown below |
| Connector Type | Strip line |
| Notes | Material shall be RoHS 6/6 |

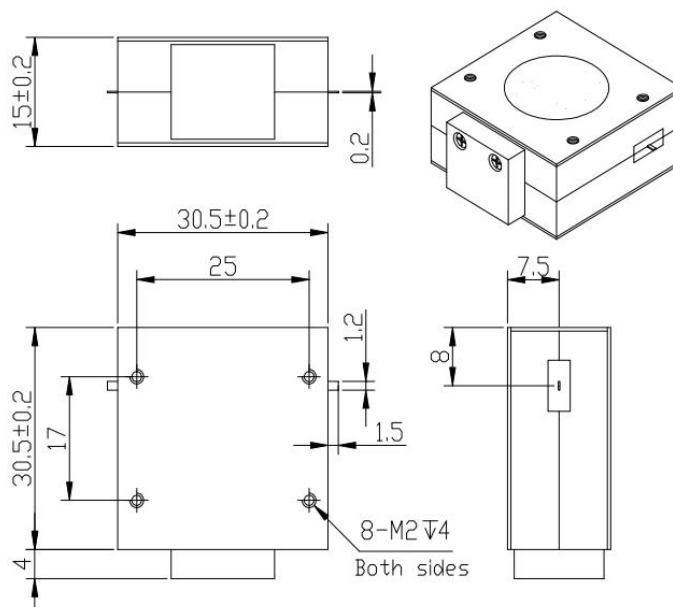


Figure 1 JX-CI-2G6G-12PIN front panel layout

2. Electrical analysis

Table 2 Electrical specifications

| Item | Parameter | Specifications |
|------|-----------------|-----------------------------------|
| 1 | Frequency Range | 2.0-6.0GHz |
| 2 | Insertion Loss | 0.85dB max 1.7dB max@-40°C ~+70°C |
| 3 | Isolation | 12dB min |
| 4 | VSWR | 1.5 max 1.6 max@-40°C ~+70°C |
| 5 | Forward Power | 20W CW |
| 6 | Reverse Power | 20W |
| 7 | Temperature | -40°C to +70°C |

JING XIN MICROWAVE TECHNOLOGY CO.,LTD

E-mail: sales@cdjx-mw.com Web: <http://www.cdjx-mw.com>

TEL: +86-28-85026087 FAX: +86-28-65026087 ext.8033 Zip Code:610045

Add: No.65,West 1st Wu Ke Road, Wu Hou District, Cheng Du City, Si Chuan Province, China.